



Cold shrink tube, 1/2" to 1-1/4", 1/2" to 1-5/8", 5/8" to 1-1/4", 5/8" to 1-5/8", 7/8" to 1 1/4", 7/8" to 1 5/8"

RFS cold shrink tubes provide a additional sealing of feeder connections. With the included foam strips a sealing class IP68 is guaranteed even with scratches on the jacket surface. The materials are selected for a long-term outdoor use.



FEATURES / BENEFITS

- ➔ RFS offers a timesaving and easy way to secure a waterproof protection.
- ➔ No tools are necessary for installation.
- ➔ The shrinking process is done by simply unwinding a removable core.

Technical Features

STRUCTURE

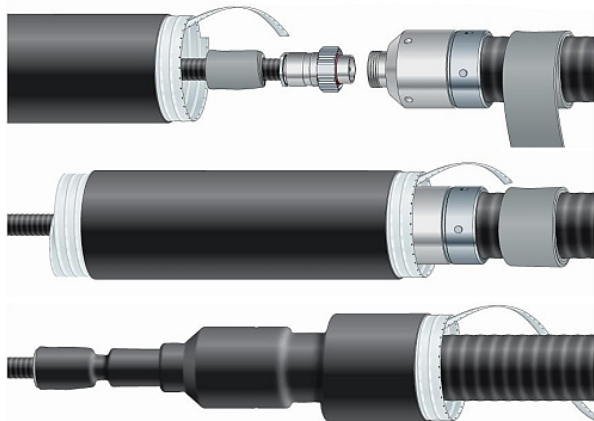
Product Line		Coaxial Cable Accessories
Product Type		Weather Seal Kit
Coaxial Cable Type		Foam Dielectric

MECHANICAL SPECIFICATIONS

Mated to Cable Size and Interface		1/2" to 1-1/4", 1/2" to 1-5/8", 5/8" to 1-1/4", 5/8" to 1-5/8", 7/8" to 1 1/4", 7/8" to 1 5/8" up to and including 7-16 DIN connectors
Color		Black
Material		Cold shrink tube: Made of EPDM rubber Foam strips: Made of self bonding Foam PE
Sealing Class		IP68
Length	mm (in)	330 (13)

PACKAGING INFORMATION

Package Quantity		1
------------------	--	---



External Document Links

Installation Instruction

Notes